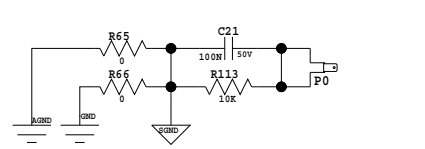
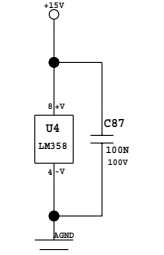
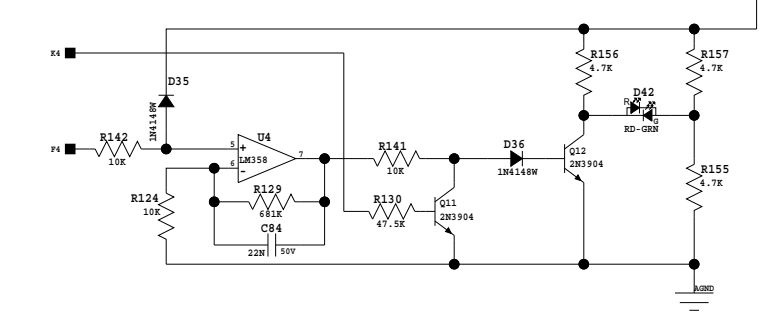
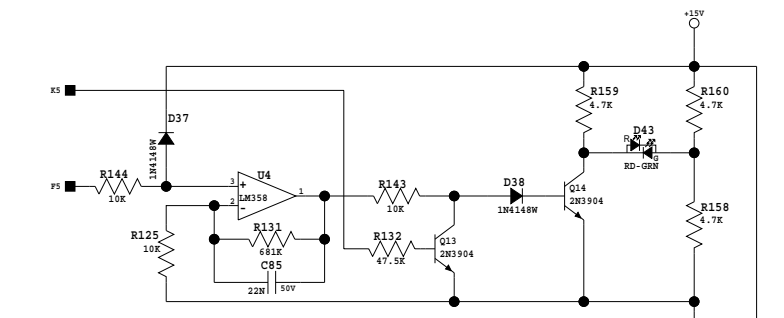
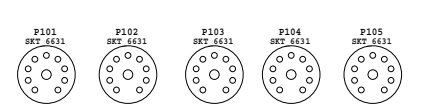
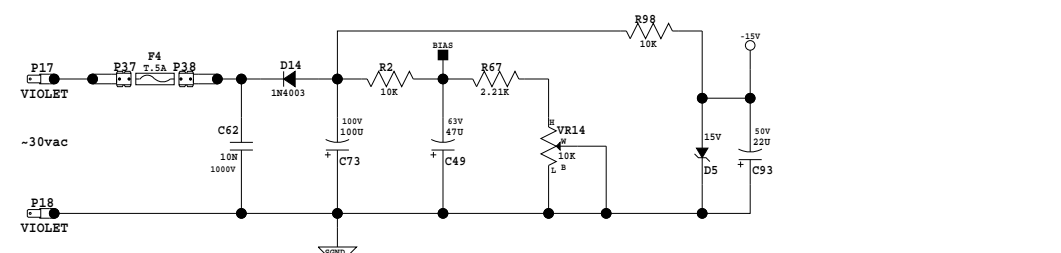
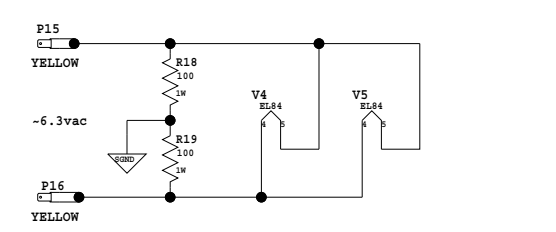
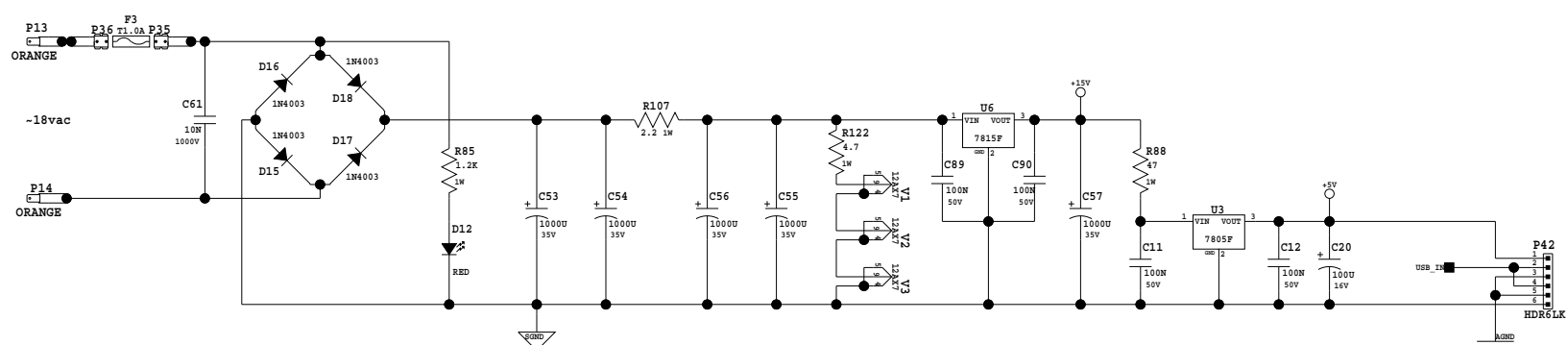
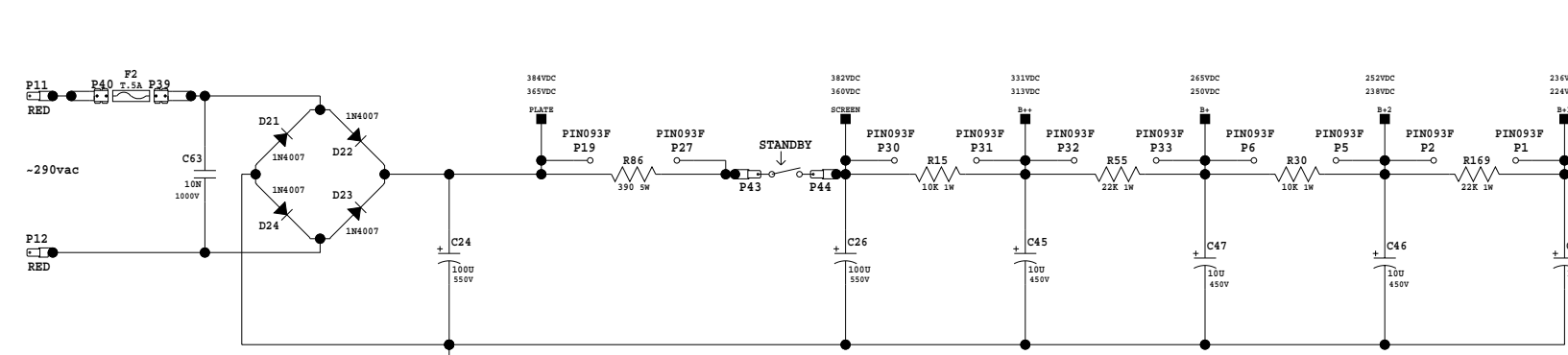


REV	Eng	Date:	Revision Description	ECN#
A				
B				
C				
D				
E				
F				

INDEX

SHEET	DESCRIPTION
1	COVER / POWER SUPPLY
2	AUDIO CIRCUITRY



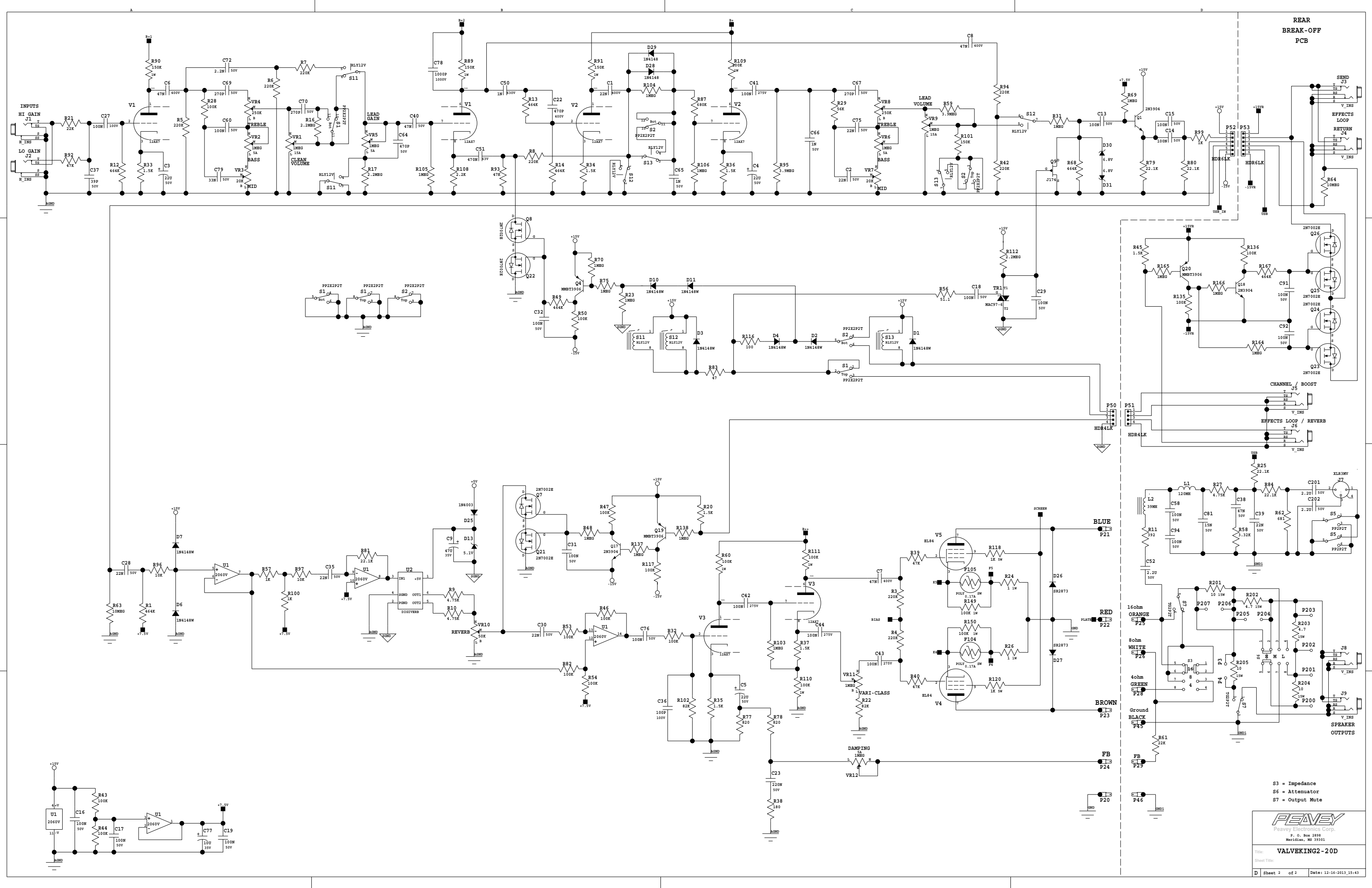
Note: All thru hole Resistors are 1/4 Watt unless otherwise indicated.
All SMT 1206 Resistors are 1/4 Watt.
All SMT 0805 Resistors are 1/10 Watt.
Note Capacitor Values are indicated as Follows:
val P = pF (picoFarads) val * 10 exp-12
val N = nF (nanoFarads) val * 10 exp-9 (1N=1000pF, 100N=0.1uF)
val U = uF (microFarads) val * 10 exp-6

Company Proprietary Information

Patents:
Copyright Peavey Electronics Corporation 2012.

PEAVEY
Peavey Electronics Corp.
P. O. Box 2998
Meriden, CT 03451

Product: VALVEKING2 - 20D
Project Number: P08
Release Date: 12-16-2013 15:43
Sheet 1 of 2

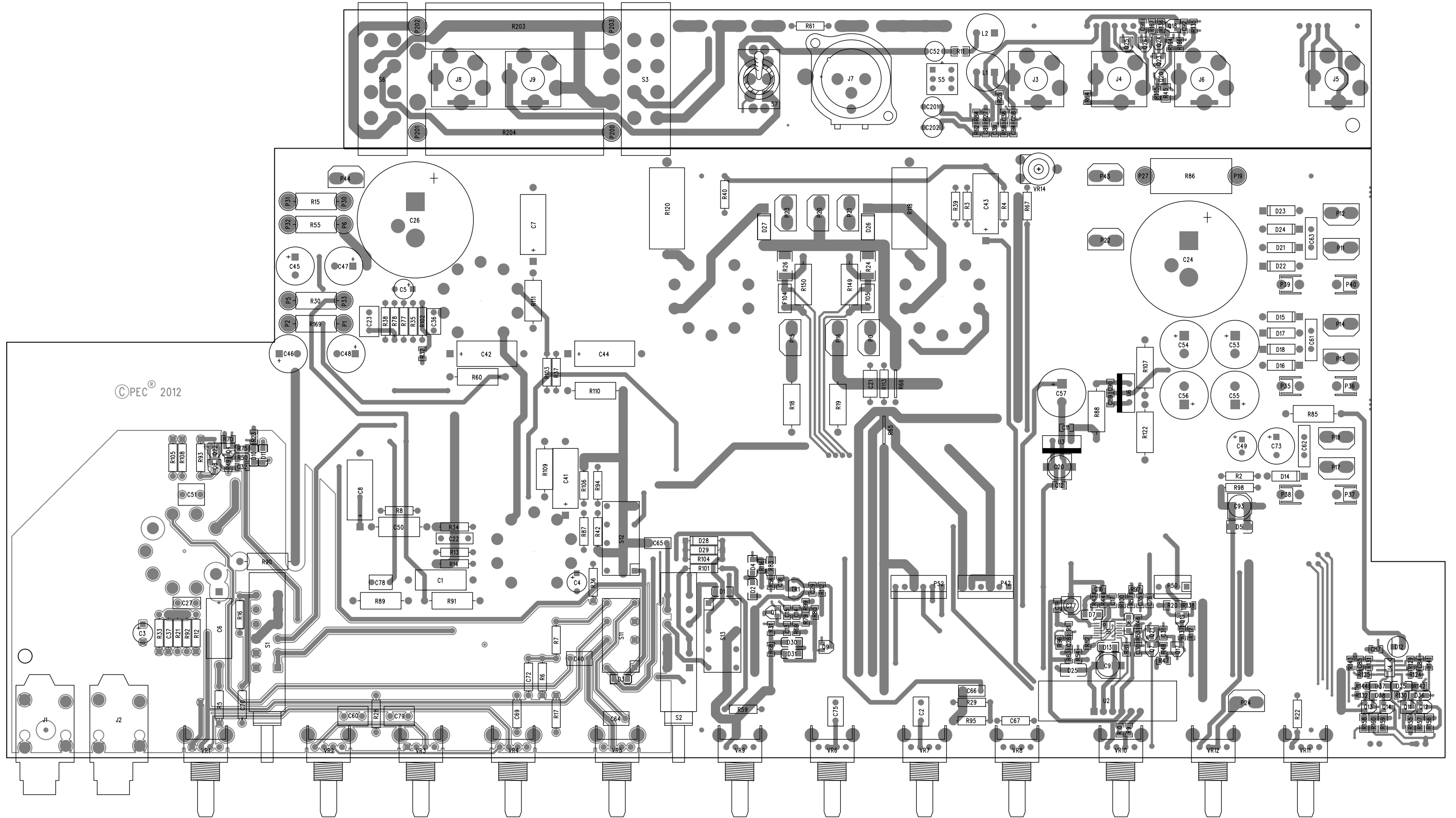


REAR
BREAK-OFF
PCB

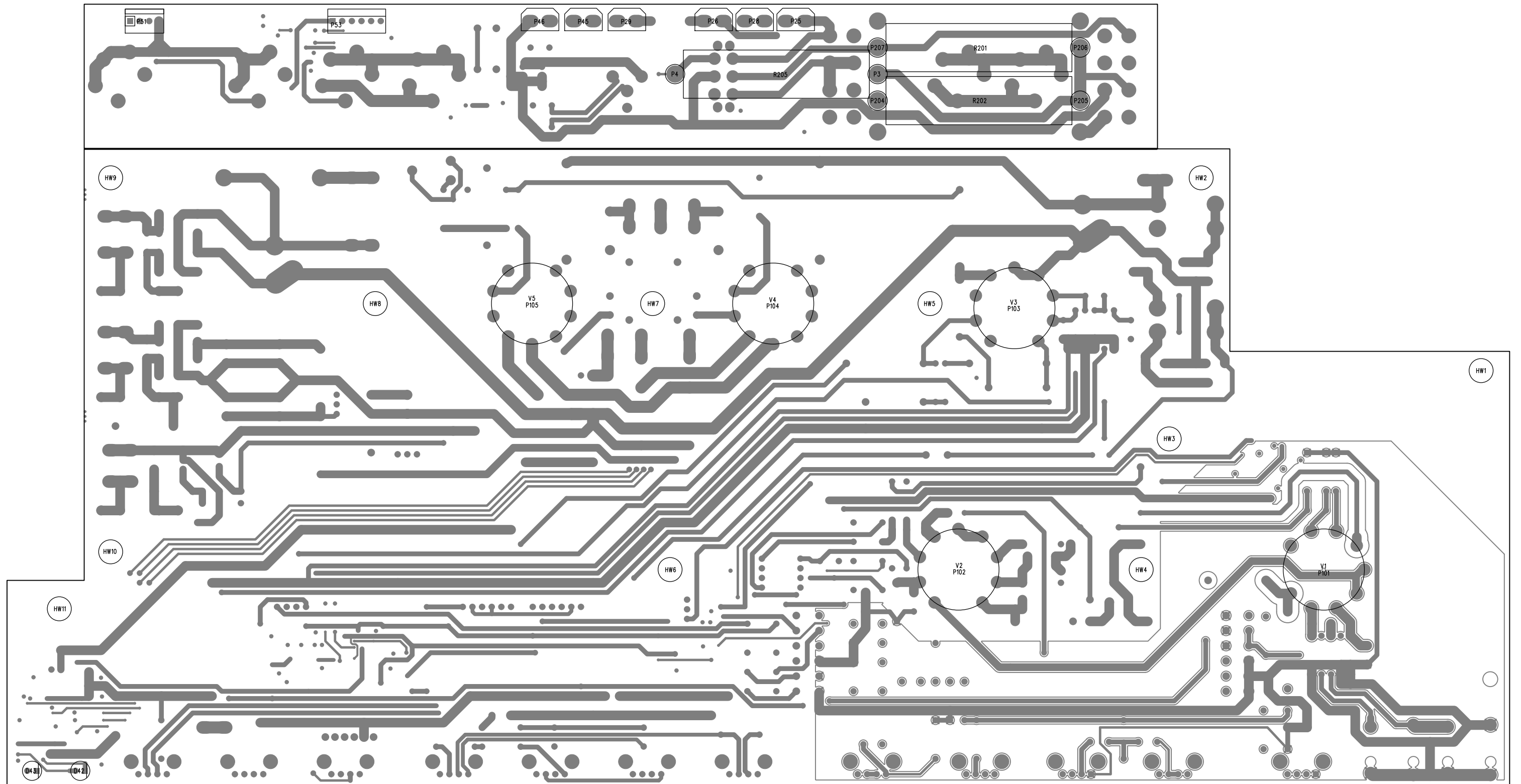
S3 = Impedance
S6 = Attenuator
S7 = Output Mute



VALVEKING 2 20W MAIN - PRIMARY SIDE VIEW



VALVEKING 2 20W MAIN - SECONDARY SIDE VIEW



BILL OF MATERIAL REPORT

REPORT DATE/TIME: 12/17/2013 4:54:52 PM

BOARD NAME: ValveKing 2 20 Watt Main ASSEMBLY LEVEL NUMBER: 32204002

PROJECT NUMBER: P1200015 DESIGNER: FJE - 32102080

Qty.	Part #	Description	Reference Designators
1	30200012	47 1/4W 5% MF 1206	R83
6	30200025	4.7K 1/4W 5% MF 1206	R155 R156 R157 R158 R159 R160
2	30200128	1.50K 1/4W 1% MF 1206	R20 R45
1	30200136	392 1/4W 1% MF 1206	R11
8	30200174	10K 1/10W 1% MF 0805	R96 R97 R124 R125 R141 R142 R143 R144
1	30200179	51.1 1/10W 1% MF 0805	R56
1	30200181	100 1/10W 1% MF 0805	R116
3	30200188	1.00K 1/10W 1% MF 0805	R57 R99 R100
12	30200194	100K 1/10W 1% MF 0805	R32 R43 R44 R46 R47 R50 R53 R54 R82 R117 R135 R136
11	30200195	1.00M 1/10W 1% MF 0805	R23 R31 R48 R69 R70 R75 R137 R138 R164 R165 R166
1	30200202	3.32K 1/10W 1% MF 0805	R58
2	30200205	47.5K 1/10W 1% MF 0805	R130 R132
3	30200251	4.75K 1/10W 1% MF 0805	R9 R10 R27
5	30200256	22.1K 1/10W 1% MF 0805	R25 R79 R80 R81 R84
2	30200339	10.0M 1/10W 1% MF 0805	R63 R64
4	30200417	464K 1/10W 1% MF 0805	R1 R49 R68 R167
2	30200418	1 1W 1% MF 2512	R24 R26
1	30200443	2.2M 1/10W 5% 0805	R112

1	30200491	681	1/10W	1%	0805	R62
2	30200630	681K	1/10W	1%	MF 0805	R129 R131
2	30210003	100	1W	5%	MO AXL	R18 R19
2	30210005	22K	1W	5%	MO AXL	R55 R169
1	30210011	47	1W	5%	MO AXL	R88
1	30210015	4.7	1W	5%	MO AXL	R122
6	30210017	100K	1W	5%	MO AXL	R60 R109 R110 R111 R149 R150
2	30210018	10K	1W	5%	MO AXL	R15 R30
1	30210024	1.2K	1W	5%	MO AXL	R85
1	30210025	2.2	1W	5%	MO AXL	R107
3	30210123	150K	1W	5%	MO AXL	R89 R90 R91
1	30240012	180	1/4W	5%	CF AXL	R38
5	30240018	1500	1/4W	5%	CF AXL	R33 R34 R35 R36 R37
2	30240019	820	1/4W	5%	CF AXL	R77 R78
1	30240020	2200	1/4W	5%	CF AXL	R108
1	30240026	56K	1/4W	5%	CF AXL	R29
2	30240029	22K	1/4W	5%	CF AXL	R21 R61
4	30240031	47K	1/4W	5%	CF AXL	R39 R40 R92 R93
2	30240033	82K	1/4W	5%	CF AXL	R22 R102
1	30240035	150K	1/4W	5%	CF AXL	R101
8	30240036	220K	1/4W	5%	CF AXL	R3 R4 R5 R6 R7 R8 R42 R94
2	30240040	2.2M	1/4W	5%	CF AXL	R16 R17
2	30240064	3.9M	1/4W	5%	CF AXL	R59 R95
1	30240065	680K	1/4W	5%	CF AXL	R87
1	30240145	2.21K	1/4W	1%	MF AXL	R67
1	30240151	100K	1/4W	1%	MF AXL	R28
3	30241050	10K	1/4W	1%	MF AXL	R2 R98 R113
4	30241118	1M	1/4W	1%	MF AXL	R103 R104 R105 R106

3	30241119	464K 1/4W 1% MF T&R	R12 R13 R14
1	30250020	390 5W 5% FP AXLH	R86
2	30250060	1K 5W 10% WW AXLH SL	R118 R120
2	30250299	4.7 15W 10% WW AXLH	R202 R203
3	30250301	10 15W 10% WW AXLH	R201 R204 R205
2	30250305	0.17A PTC (RESET) FUSE SMT	F104 F105
1	30300079	47UF 35V 20% EL SMT6	C9
1	30300083	100UF 16V 20% EL SMT6	C20
2	30300093	0.1UF 50V 10% X7R 0805	C58 C94
1	30300099	22UF 50V 20% EL SMT6	C93
17	30300121	0.1UF 50V 5% X7R 0805	C11 C12 C13 C14 C15 C16 C17 C18 C19 C29 C31 C32 C76 C89 C90 C91 C92
1	30300131	10UF 35V 20% EL SMT4	C77
6	30300148	0.022UF 50V 5% X7R 0805	C28 C30 C35 C39 C84 C85
1	30300154	0.015UF 50V 10% X7R 0805	C81
1	30300171	0.047UF 50V 5% X7R 0805	C38
1	30300249	0.1UF 100V 20% X7R 0805	C87
3	30320099	0.01UF 1000V 80-20% Z5U	C61 C62 C63
3	30320105	0.047UF 400V 10% PES AXL	C6 C7 C8
3	30320181	22UF 50V 20% EL RAD	C3 C4 C5
3	30320184	2.2UF 50V 20% ELN RAD	C52 C201 C202
5	30320186	1000UF 35V 20% EL RAD	C53 C54 C55 C56 C57
1	30320269	100PF 100V 5% NPO RAD	C36
1	30320281	1000PF 630V 10% PE AXL	C50
1	30320283	0.022UF 400V 10% PE AXL	C1
4	30320334	0.1UF 250V 10% PE AXL	C41 C42 C43 C44
1	30320569	470PF 400V 20% PP RADH	C22

2	30320573	100UF 550V 20% EL SNPH	C24 C26
1	30320623	47UF 63V 20% EL RAD	C49
1	30320624	100UF 100V 20% EL RAD	C73
1	30320667	1000PF 1000V 10% CER RAD	C78
4	30320676	10UF 450V 20% EL RADIAL	C45 C46 C47 C48
1	30330113	0.1UF 100V 10% PPS RAD	C27
1	30330115	0.033UF 50V 5% PE RAD	C79
1	30330118	470PF 50V 5% PE RAD	C64
1	30330128	0.22UF 50V 5% PE RAD	C23
1	30330129	0.1UF 50V 5% PE RAD	C60
2	30330134	0.022UF 50V 5% PE RAD	C2 C75
1	30330136	0.047UF 50V 5% PE RAD	C40
2	30330156	1000PF 50V 5% PE RAD	C65 C66
1	30330159	0.47UF 63V 5% PES RAD	C51
1	30340004	2200PF 50V 10% X7R AXL	C72
1	30340052	39PF 50V 5% NPO AXL	C37
3	30340057	270PF 50V 10% NPO AXL	C67 C69 C70
1	30340101	0.1UF 50V 10% X7R AXL	C21
1	30400318	7815F +15V INS TO-220F HOR	U6
1	30400322	7805F +5V INSUL TO-220F	U3
2	30402873	SR2873 2KV, 250MA DIODE	D26 D27
1	30409209	DIGITAL REVERB MODULE BTDR-2VM	U2
1	30418015	LM358 DUAL OPAMP SMT	U4
7	30418135	2N3904 NPN SOT23	Q1 Q11 Q12 Q13 Q14 Q17 Q18
1	30418139	J-174 P-JFET 30V SOT23	Q9
2	30418140	6.8V ZENER (SOD123)-SMT	D30 D31
1	30418261	1N4003 - SMT - SMA PKG	D25
12	30418328	1N4148W SWITCHING DIODE	D1 D2 D3 D4 D6 D7 D10 D11 D35 D36 D37 D38

8	30418369	2N7002E N CH 60V MOSFET	Q7 Q8 Q21 Q22 Q23 Q24 Q25 Q26
1	30418389	5.1V ZENER (SOD123)-SMT	D13
3	30418421	MMBT3906 PNP SOT23	Q4 Q19 Q20
1	30418504	15V 1.5W ZENER SMA	D5
1	30418578	2060 QUAD OPAMP TSSOP1414	U1
2	30450037	BICOLOR LED R/G T1	D42 D43
1	30450068	RED T1 3/4 LED S-BRT BULK	D12
1	30460097	MAC97-6 TRIAC TO-92 T&A	TR1
5	30464003	1N4003 200V 1A SI DIODE	D14 D15 D16 D17 D18
4	30464007	1N4007 1KV, 1A, SI DIODE	D21 D22 D23 D24
2	30464148	1N4148 75V 10MA DIODE	D28 D29
1	30500104	39MH RADIAL INDUCTOR	L2
1	30500105	120MH RADIAL INDUCTOR	L1
2	30600136	0 OHM 22GA JMPR AXL	R65 R66
2	30806623	EL84/6BQ5 POWER TUBE	V4 V5
3	30806629	12AX7 LOW MICROPHONIC	V1 V2 V3
5	30806631	TUBE SKT 9PIN CERAMIC	P101 P102 P103 P104 P105
6	30901714	FUSE CLIP, 5 X 20MM -T&A	P35 P36 P37 P38 P39 P40
11	30901859	STND .500 T4-40,SW,AL,ST	HW1 HW2 HW3 HW4 HW5 HW6 HW7 HW8 HW9 HW10 HW11
1	31190009	10K LIN.-HOR.PC MNT. TRIM POT	VR14
2	31190903	20KB SNGL 12MM HOR	VR3 VR7
1	31190904	50KB SNGL 12MM HOR	VR10
2	31190908	250KB SNGL 12MM HOR	VR4 VR8
4	31190910	1M5A SNGL 12MM HOR	VR2 VR5 VR6 VR12
2	31190911	1M15A SNGL 12MM HOR	VR1 VR9

1	31191012	1MB SNGL 12MM HOR	VR11
1	31322251	SWITCH DPDT PP 3.3MM PC V	S5
2	31322256	SWITCH 2XDPDT PP 3.3 PC H	S1 S2
3	31322277	RELAY 12V DPDT .5A	S11 S12 S13
2	31322328	SWITCH 2P3T SLIDE PC V	S3 S6
1	31322476	SWITCH 2P2T TOGGLE	S7
2	31466222	JACK, MONO R/A 1/4" 6.5MM	J1 J2
1	31466324	MXLR NC3MAV A-SER VERT	J7
6	31466542	STEREO HID JACK INSU	J3 J4 J5 J6 J8 J9
20	33711818	PIN-F .093 FOR COMP MNTG	P1 P2 P3 P4 P5 P6 P19 P27 P30 P31 P32 P33 P200 P201 P202 P203 P204 P205 P206 P207
22	33716194	SPADE .250 PC MNT .093	P0 P11 P12 P13 P14 P15 P16 P17 P18 P20 P21 P22 P23 P24 P25 P26 P28 P29 P43 P44 P45 P46
2	33717015	4 HDR V SR .100" TIN LK	P50 P51
3	33717123	6 HDR V SR .100" TIN LK	P42 P52 P53

 END OF BILL OF MATERIAL REPORT
